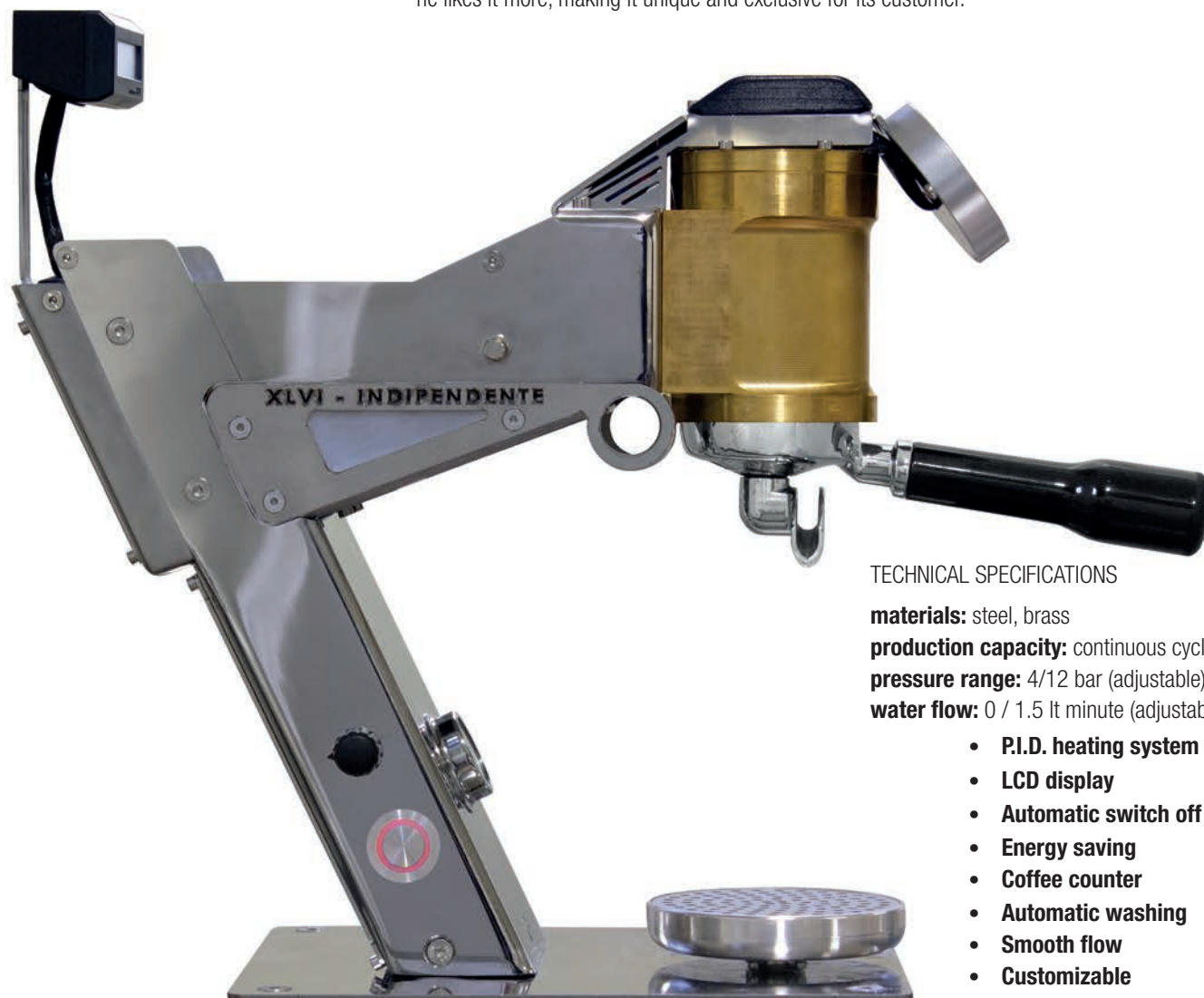


# INDIPENDENTE

**INDIPENDENTE** is an instrument that ALLOWS THE SUPPLY of ESPRESSO coffee.

The peculiarity of this tool is that all the technology is placed above the bar counter and does not require undercounter machinery.

The chance to modify pressure, flow and temperatures let the barista customize the extraction in the way he likes it more, making it unique and exclusive for its customer.



## TECHNICAL SPECIFICATIONS

**materials:** steel, brass

**production capacity:** continuous cycle

**pressure range:** 4/12 bar (adjustable)

**water flow:** 0 / 1.5 lt minute (adjustable)

- **P.I.D. heating system**
- **LCD display**
- **Automatic switch off**
- **Energy saving**
- **Coffee counter**
- **Automatic washing**
- **Smooth flow**
- **Customizable**

# XLVI

OPERAI DEL VAPORE

## TECHNICAL CHARACTERISTICS

		1 station
<i>Net weight</i>		21 Kg
<i>Power</i>		1000 W
<i>Voltage</i>		220-240 V
<i>Frequency</i>		50-60 Hz
<i>Size</i>	depth	50 cm
	width	50 cm
	height	45 cm

[www.xlvi.it](http://www.xlvi.it)